

Industrial Controllers



Manufactured by **Gessmann**

Industrial Controllers

Who we are

Cavotec is a multi-national group of companies serving the following industries: mining and tunnelling, ports and maritime, steel and aluminium, energy and offshore, airports, general industry and automation. In the early 1960's our main focus was the design and production of motorised cable reels primarily for manufacturers of tower cranes, harbour cranes and mining equipment. Today, Cavotec is connecting mobile equipment around the world in many diverse applications.

Where we are

The Cavotec Group consists of manufacturing "Centres of Excellence" located in France, Germany, Italy, New Zealand, Norway, Sweden, United Kingdom and USA and by 5 local manufacturing units located in Australia, China, Germany, Sweden and the USA. For the distribution of products and providing support to customers Cavotec has 27 sales companies which, together with a network of distributors, serve more than 30 countries in five continents. The ultimate objective is to be perceived as "local everywhere".

How we work

Our aim is to work closely with our customers in order to build long-term partnerships. To achieve this aim we have created a working environment that attracts the best people, encourages them to stay and brings out their best qualities. By producing totally reliable systems and backing them with efficient service, we strive to create true customer satisfaction.



Gessmann

Founded in the 1940's the Gessmann company, based in Leingarten, near Heilbronn in Germany has grown to be one of the main players in the design and manufacturing of industrial controllers and crane control units. By focusing strongly on innovation and high quality design Gessmann products have become a standard for global industry operators, ranging from the automotive to maritime industry.

Cavotec Group Organisation

As shown here the Cavotec Group is organised to support its customers around the world through its manufacturing units and sales companies.

Each Cavotec manufacturing company, no matter where it is located, aims at being a market leader in its field by providing innovative and reliable products to Group customers.

Each Cavotec sales company, in the 27 countries where they operate, aims at better serving its local market following the Group philosophy "to be local everywhere".

Manufacturing network

Centres of Excellence

France
Cavotec RMS
 Spring Driven Reels

Germany
Cavotec Alfo
 Spring Driven Reels
 Slipping Columns

Cavotec Fladung
 Ground Support Equipment

Italy
Cavotec Specimas
 Motorized Cable Reels
 Panzerbelt Cable Protection
 Slipping Columns

Norway
Cavotec Micro-control
 Radio Remote Controls

Sweden
Cavotec Connectors
 Electrical Plugs & Sockets

New Zealand
Mooring Systems Ltd
 Automated Mooring Systems

United Kingdom
Cavotec Dabico
 Ground Support Equipment

USA
Cavotec Dabico
 Ground Support Equipment

Local Manufacturing

Australia
Cavotec Australia
 Motorized Cable Reels

China
Cavotec China
 Product Assembly

Germany
Cavotec Micro-control
 Radio Remote Controls

Sweden
Cavotec Sweden
 Product Assembly

USA
Cavotec USA
 Product Assembly

Group Partners

Belgium
Gantry
 Crane Rail Systems

Italy
Brevetti Stendalto
 Cable Chains
Prysmian
 Flexible Cables
Tratos Cavi
 Flexible Cables

Sales network

Cavotec Sales Companies

Cavotec Abu Dhabi	Cavotec France	Cavotec Qatar
Cavotec Australia	Cavotec Germany	Cavotec Russia*
Cavotec Belgium*	Cavotec Hong Kong	Cavotec Singapore
Cavotec BeNeLux	Cavotec India	Cavotec South Africa
Cavotec Brazil*	Cavotec Italy	Cavotec Sweden
Cavotec Canada	Cavotec Korea	Cavotec Turkey
Cavotec Chile	Cavotec Latin America	Cavotec UK & Ireland
Cavotec China	Cavotec Mexico	Cavotec USA
Cavotec Denmark	Cavotec Middle East	
Cavotec Finland	Cavotec Norway	

* Branch Office

Why use Gessmann Industrial Controllers?



Gessmann is a company specialised in the production of high quality industrial controllers (joysticks) and switches to be used in: crane operation systems; remote controls systems; hoisting, ports, terminals and offshore; mining and tunnelling; steel mills; welding machine control; forestry; packing machine control; explosion protected (flame proof) applications and nautical applications.

Nearly all man-machine interface problems can be solved by the large range of different controllers manufactured by Gessmann. Once the physical size and features are determined for an application, the ergonomic issues become a very important part of designing the controller for a specific machine.

Our extensive experience in this field, supported by our professional ergonomic designers helps us to increase comfort, productivity and efficiency on the whole system.



As a result of the close cooperation established with its customers, several Gessmann solutions are specially designed for customer applications. In addition to the high quality mechanical systems, a number of electronic solutions have been developed and manufactured by Gessmann, such as Opto-electronic encoders and bus systems.

The Gessmann reference list includes companies such as Siemens, Alstom, General Electric, MAN, Liebherr, Noell, Terex, Konecrans, Potain, Hydralift, Mannesmann-Dematic, Mannesmann-Rexroth, Linde, Kranbau Eberswalde, Steinbock, Boss, Micro control, Clark, Kalmar, and Kamewa.

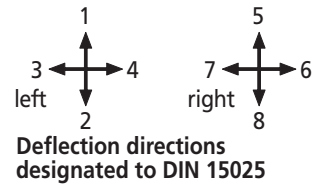
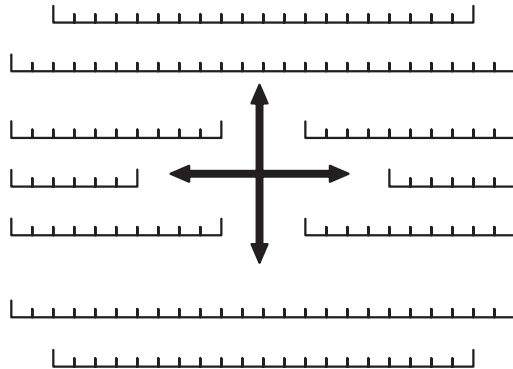
From:

Date: Inquiry No

Person in charge:

To:

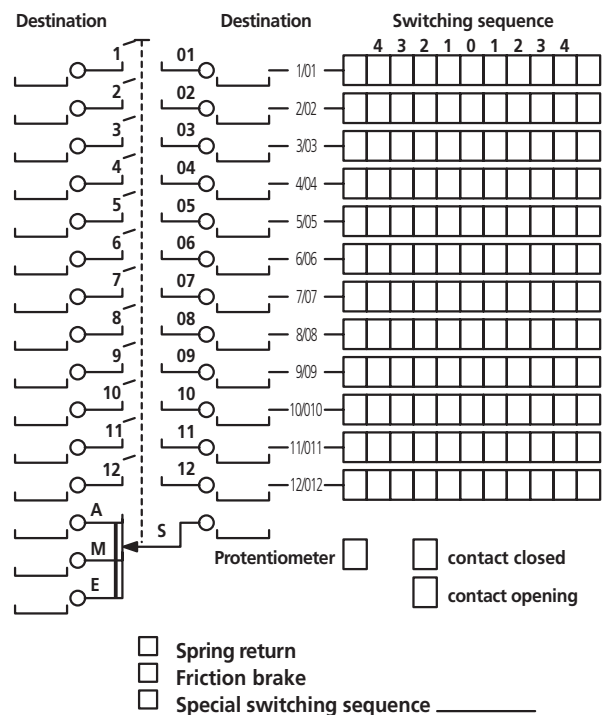
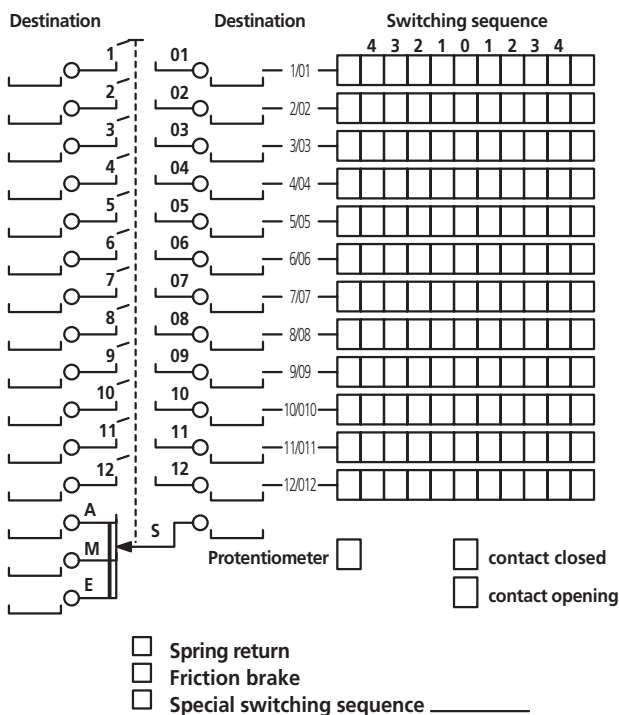
Multi-axis controller
Left/right
Indicating label
Black
Engraved white
Lettering height
3,5 mm



Direction 1-2 / 5-6 _____ Direction 3-4 / 7-8 _____

Switching program _____ Switching program _____

Drive _____ Plant ref. _____ Drive _____ Plant ref. _____



Additional functions in the control-handle _____

Dead man's button T Signal button H Push button D
 Destination _____ Destination _____ Function _____ Destination _____

Control-handle long or short _____ mm _____

Gate cross-shaped Gate special-shaped (enclose drawing)

Type key: Type _____

X= _____

Gessmann Crane Control Units

CRANE CONTROL UNIST



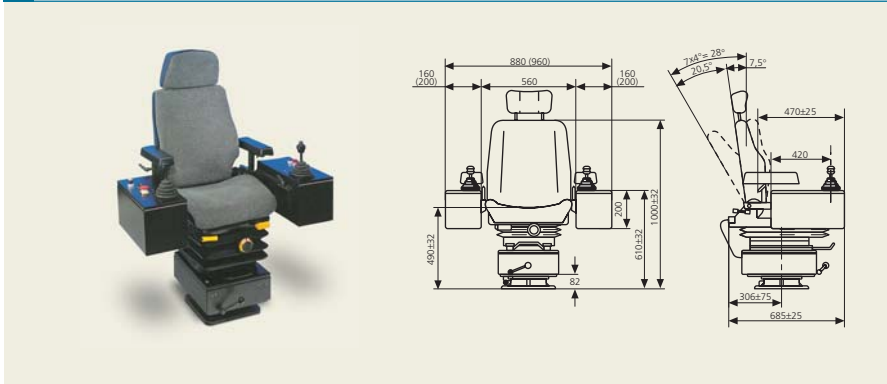
Operator's chairs with equipment boxes are manufactured for many different applications and are in operation all around the world.

The modular design allows combinations of specific features, seats and other adjustments in accordance with the customer's requirements.

The wide range of options varies from teak wooden armrests to stainless steel consoles.

The ergonomic design of the crane control unit provides a high degree of comfort for the user.

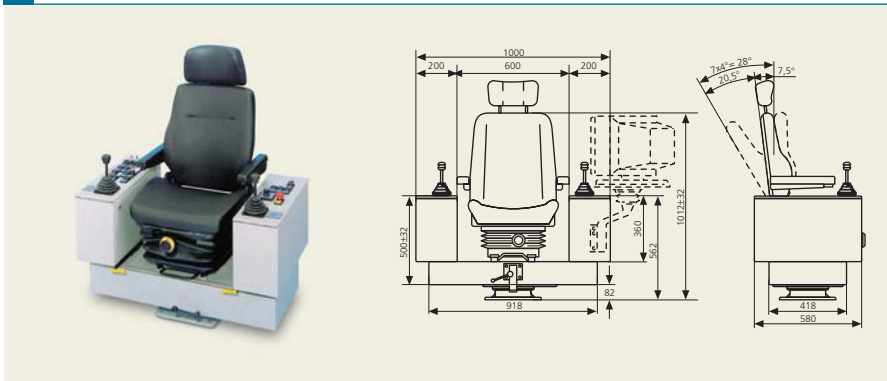
Crane control UNIT KST4



The standard design of the KST4 includes the following:

- Equipment boxes
- Ergonomic seat
- Adjusting possibilities
- Cross-member
- Swivel base
- Surface treatment

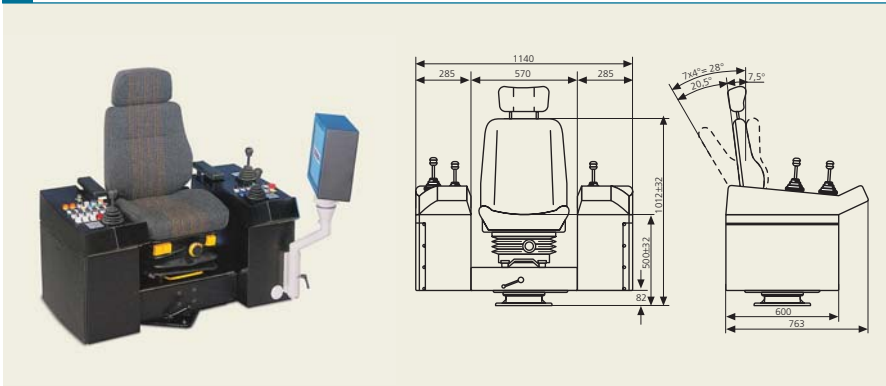
Crane control UNIT KST5



The standard design of the KST5 includes the following:

- Equipment boxes
- Ergonomic seat
- Adjusting possibilities
- Cross-member
- Swivel base
- Surface treatment

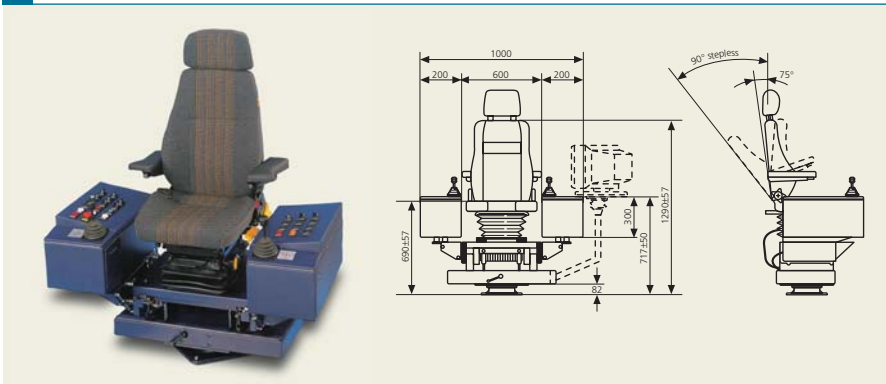
Crane control UNIT KST9



The standard design of the KST9 includes the following:

- Equipment boxes
- Ergonomic seat
- Adjusting possibilities
- Cross-member
- Swivel base
- Surface treatment

Crane control UNIT KST15

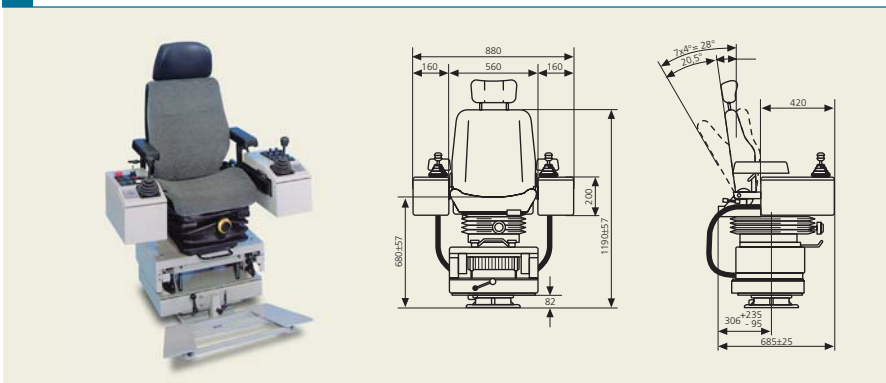


These types of Gessmann crane control units are used in thousands of applications on nearly all types of cranes, such as big tower cranes, mobile harbour cranes, ship to shore cranes, RTG, bridge cranes and operator's units in steel factories.

The standard design of the KST15 includes the following:

- Equipment boxes
- Ergonomic seat
- Manual adjustments
- Motorized adjustments
- Cross-member
- Swivel base
- Surface treatment

Crane control UNIT KST18



These Gessmann crane control units are specially electrically adjustable. They are used in applications such as garbage burning facilities, STS-cranes and steel factories.

The standard design of the KST18 includes the following:

- Equipment boxes
- Ergonomic seat
- Manual adjustments
- Motorized adjustments
- Cross-member
- Swivel base
- Surface treatment

Gessmann Industrial Controllers

MULTI-AXIS CONTROLLERS



Our standard range of controllers is used in many different types of crane applications, mobile electro-hydraulic applications, ship controllers and radio remote controllers. The modular design enables the switching device to be used universally. All controllers are resistant to oil, maritime climate, ozone and UV radiation.

The operational temperature for the controllers lies between -40 C to +60 C.

All controllers meet the following standards:

- IEC 9475-1
- EN 60947
- DIN- VDE 0660-200

Damp heat constant/cyclic

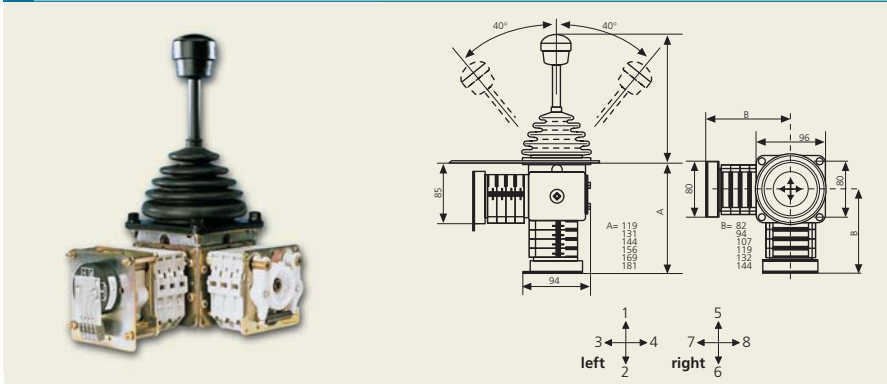
- DIN IEC 68 part 2-30

Degree of front protection

- IP54 IEC 529 DIN 40050

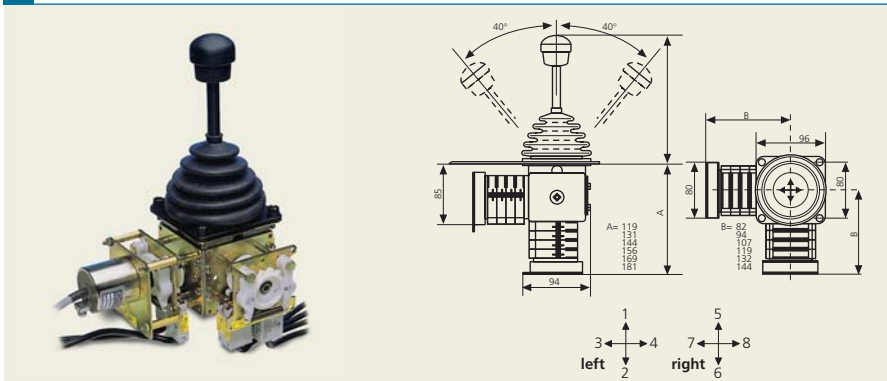
Please contact your local Cavotec supplier for higher front protection values up to IP66.

Multi-axis controller VV6



The VV6 is a multi-axis controller mainly used for hoisting applications. It has a mechanical life of 20 million operating cycles.

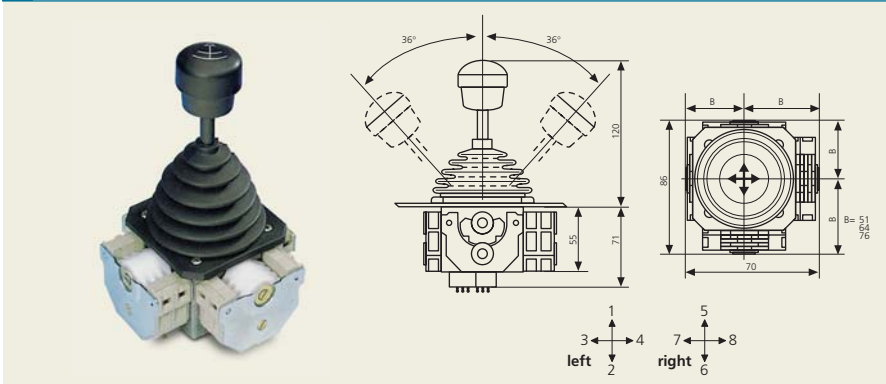
Multi-axis controller V6 (EEx)



The V6(EEx) is a multi-axis controller which can, on request, be fitted with explosion-proof contacts as depicted here. This controller is used for hoisting applications.

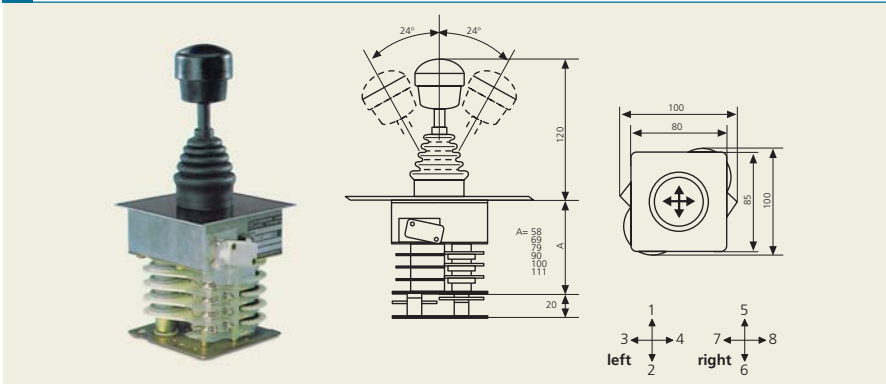
It has a mechanical life of 10 million operating cycles.

Multi-axis controller V11



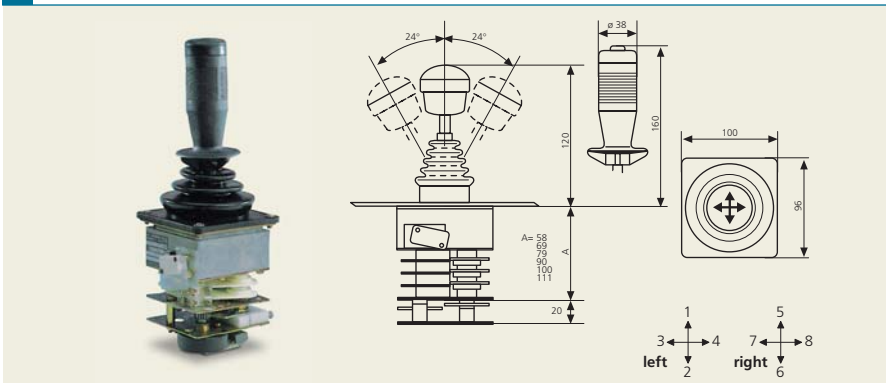
The V11 is a multi-axis controller mainly used for hoisting applications. It has a mechanical life of 10 million operating cycles.

Multi-axis controller V5



The V5 is a multi-axis controller mainly used for hoisting applications. It has a mechanical life of 6 million operating cycles.

Multi-axis controller VV5

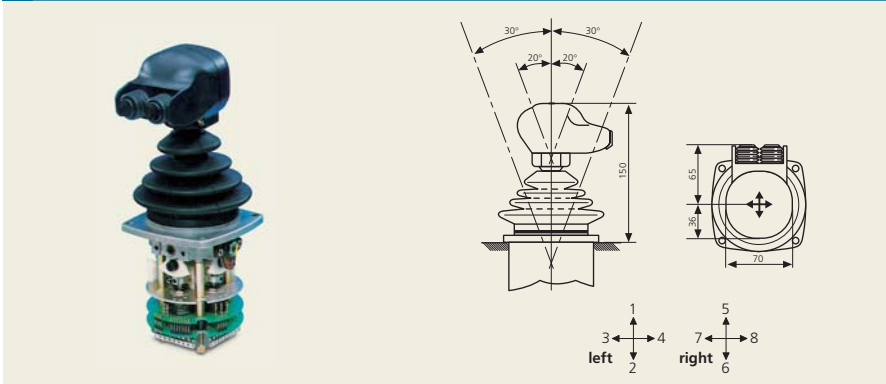


The VV5 is a multi-axis controller mainly used for electro-hydraulic applications. It has a mechanical life of 10 million operating cycles.

Gessmann Industrial Controllers

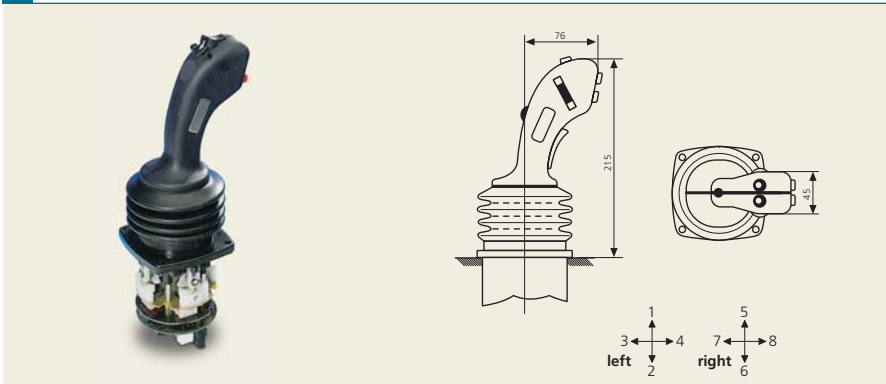
MULTI-AXIS CONTROLLERS

Multi-axis controller V8



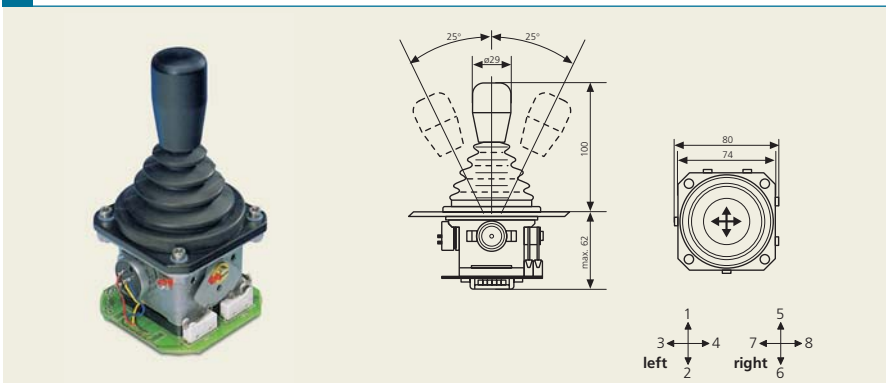
The V8 is a multi-axis controller mainly used for electro-hydraulic applications. It has a mechanical life of 8 million operating cycles.

Multi-axis controller VV8



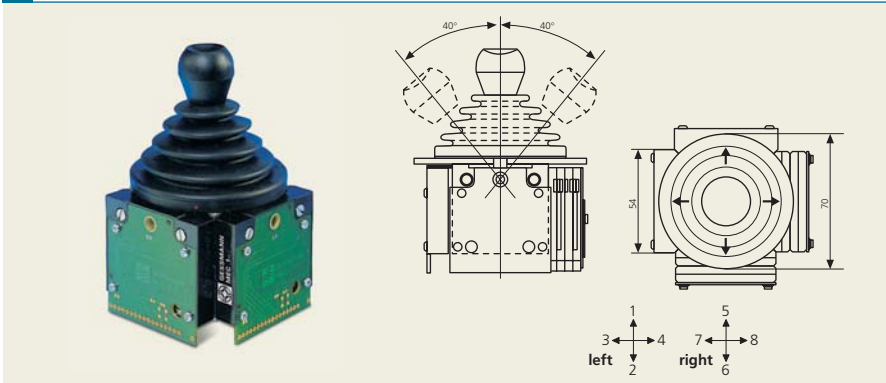
The VV8 is a multi-axis controller mainly used for electro-hydraulic applications. It has a mechanical life of 12 million operating cycles.

Multi-axis controller V10



The V10 is a multi-axis controller mainly used for remote control and electro-hydraulic applications. It has a mechanical life of 6 million operating cycles.

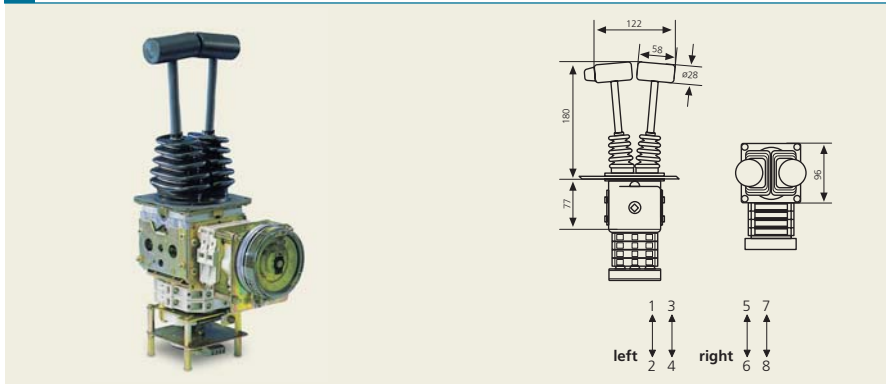
Multi-axis controller V14



The V14 is a multi-axis controller mainly used for remote control and hoisting applications. It has a mechanical life of 6 million operating cycles.

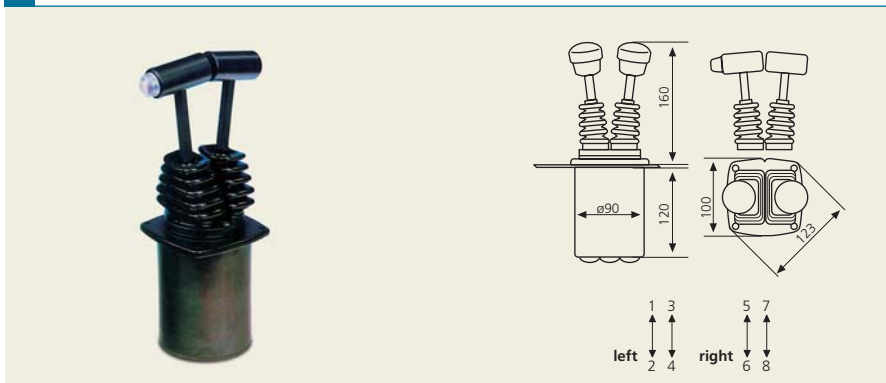
DOUBLE-HANDLE AND SINGLE-AXIS CONTROLLERS

Double-handle controller D64, DD64



The double-handle controller D64/DD64 is mainly used for hoisting applications. The D64 has a mechanical life of 10 million operating cycles. The DD64 has a mechanical life of 20 million cycles.

Double-handle controller D8

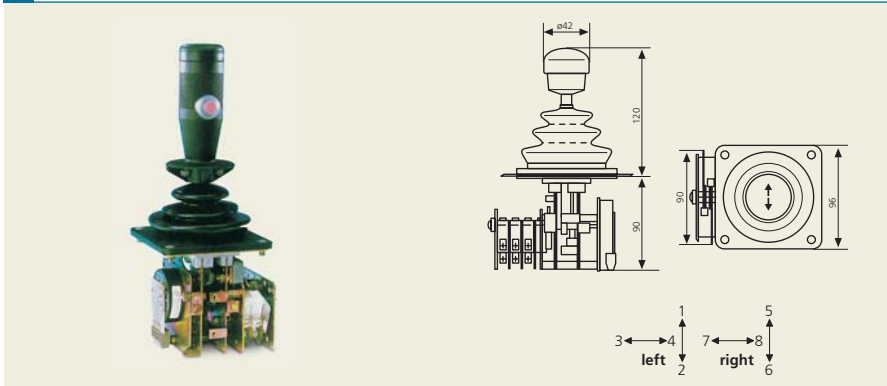


The double-handle controller D8 is mainly used for electro-hydraulic applications. The D8 has a mechanical life of 8 million operating cycles.

Gessmann Industrial Controllers

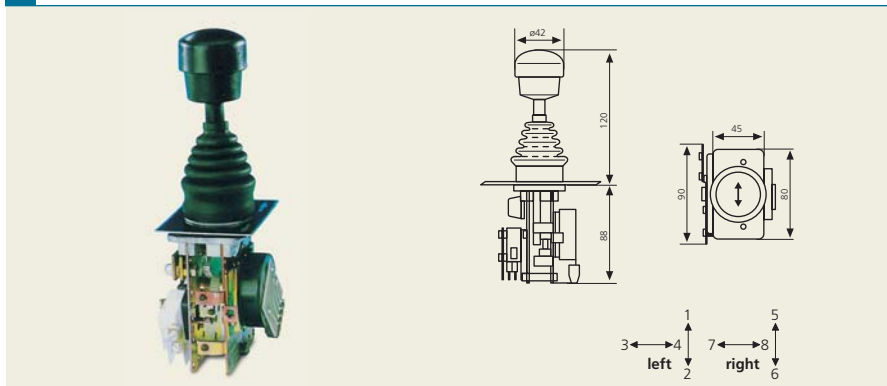
DOUBLE-HANDLE AND SINGLE-AXIS CONTROLLERS

Single-axis controller S21



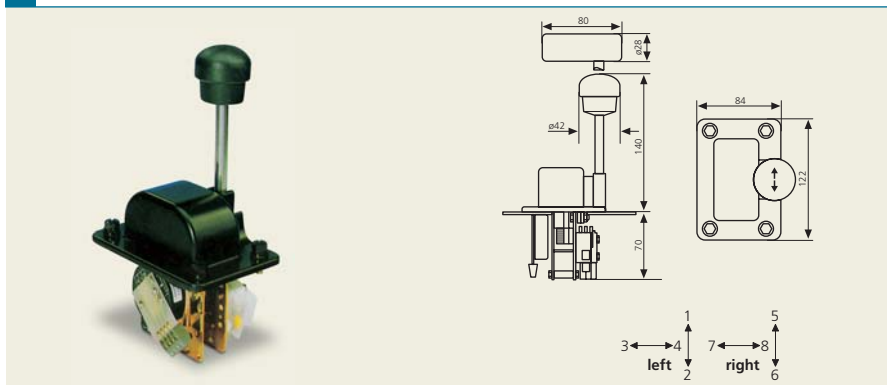
The single-axis controller S21 is mainly used for electro-hydraulic applications. The S21 has a mechanical life of 6 million operating cycles.

Single-axis controller S22



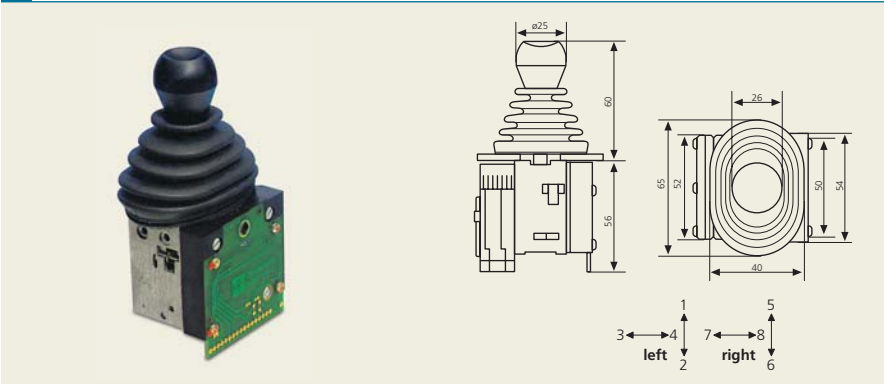
The single-axis controller S22 is mainly used for electro-hydraulic applications. The S22 has a mechanical life of 6 million operating cycles.

Single-axis controller S23



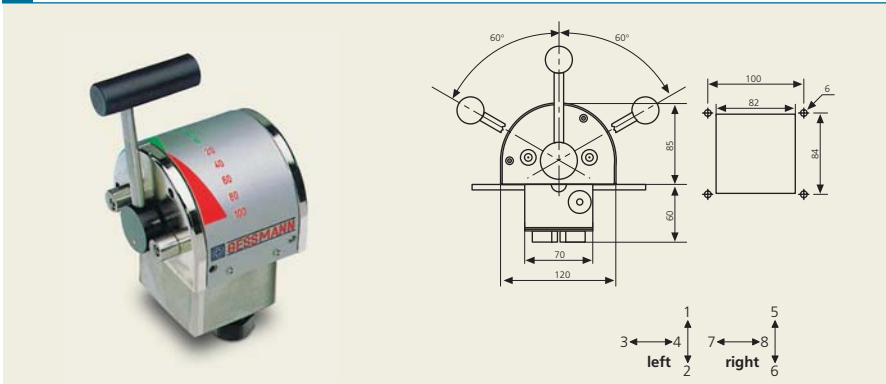
The single-axis controller S23 is mainly used for electro-hydraulic and offshore applications. The S23 has a mechanical life of 6 million operating cycles.

Single-axis controller S14



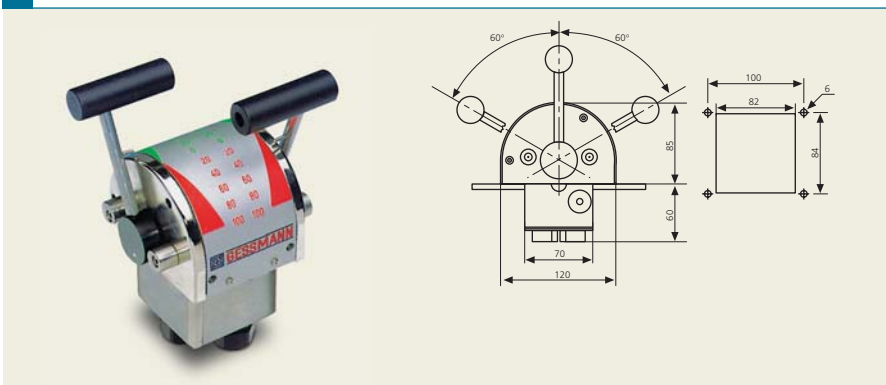
The double-handle controller D3 is specially designed for nautical navigation purposes. The D3 controller has a mechanical life of 10 million operating cycles.

Single-axis controller S3



The single-axis controller S3 is specially designed for nautical navigation purposes. The S3 controller has a mechanical life of 10 million operating cycles.

Double-handle controller D3

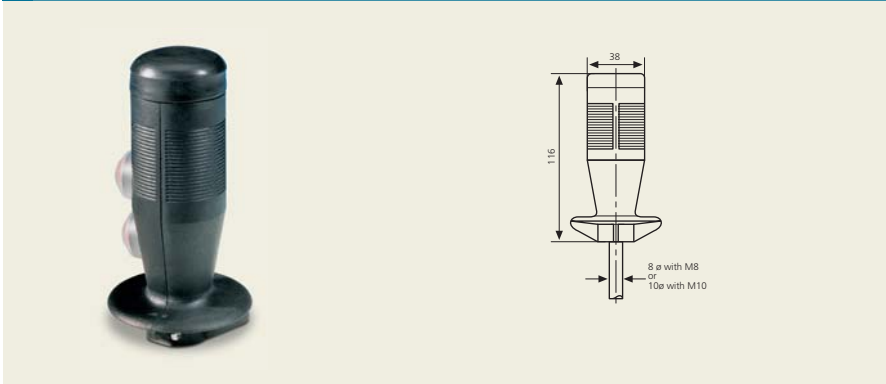


The double-handle controller D3 is specially designed for nautical navigation purposes. The D3 controller has a mechanical life of 10 million operating cycles.

Gessmann Industrial Controllers

PALMGRIPS

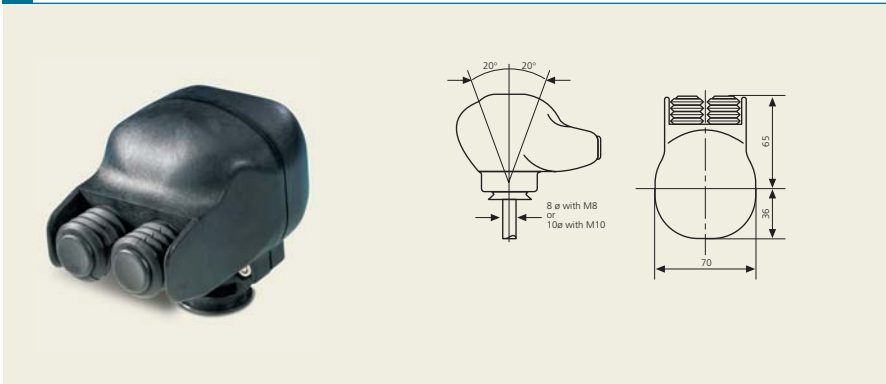
Palmgrip B1



The palmgrip B1 is an actuating element for the multi-axis and single-axis controllers. It can also be used as an actuating element with hydraulic drives.

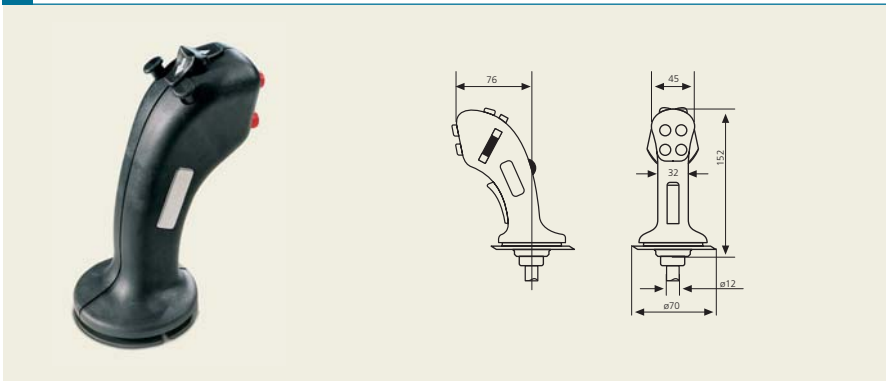
Pushbuttons, rocker switches etc., can be fitted to suit appropriate requirements.

Palmgrip B2



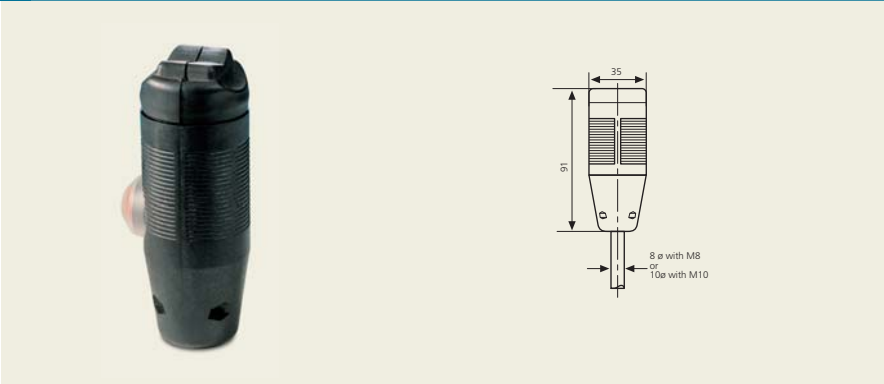
The palmgrip B2 is an actuating element for the multi-axis controllers V8. It can also be used as an actuating element for hydraulic drives. With each of the two pushbutton one direction-contact (micro changeover contact) also one potentiometer pushed. These palmgrips enable the 3 direction 9-10 (3. axis) on the multi-axis controller V8.

Palmgrip B3



The palmgrip B3 is an actuating element for our multi-axis controllers V8, VV8, V6, VV6, and VV5. It can also be used as an actuating element for hydraulic drives. Pushbuttons, rocker switches, etc., can be fitted to suit appropriate requirements. The drives with Potentiometer PA 11/12 and PA 13 enable the direction 11-12 resp. 13-14 (3 resp. 4 axis) on our multi-axis controllers.

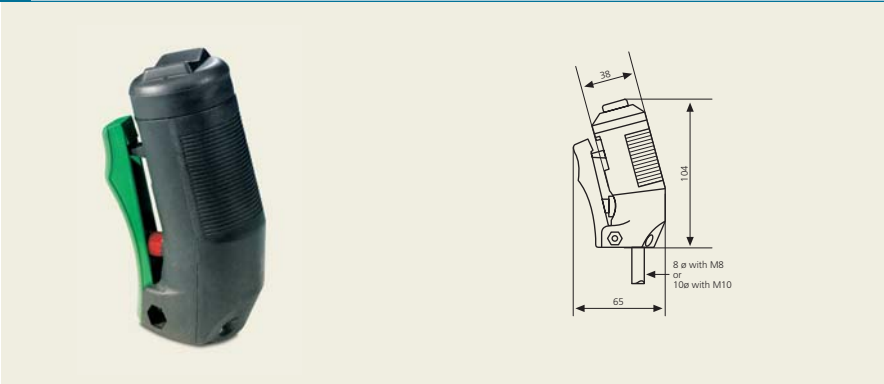
Palmgrip B5



The palmgrip B5 is an actuating element for the multi-axis and single-axis controllers. It can also be used as an actuating element for hydraulic drives.

Pushbuttons, rocker switches, etc., can be fitted to suit appropriate requirements.

Palmgrip B6



The palmgrip B6 is an actuating element for the multi-axis and single-axis controllers. It can also be used as an actuating element with hydraulic drives.

Pushbuttons, rocker switches, etc., can be fitted to suit appropriate requirements. These devices have micro changeover contacts.

Palmgrip B7/B8

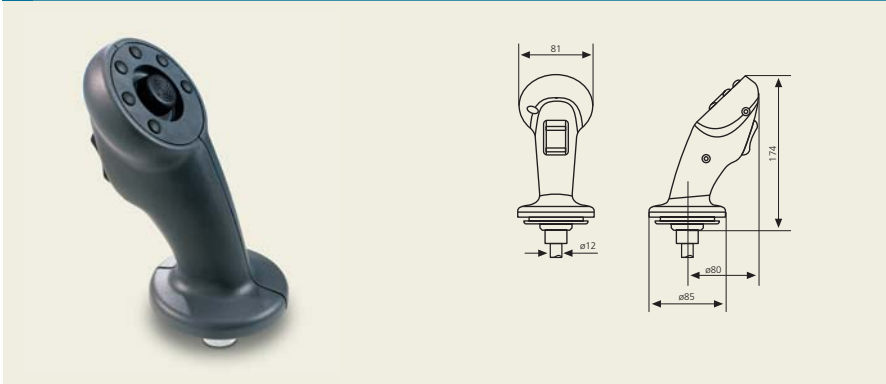


The palmgrip B7 is an actuating element for the multi-axis controllers V8, VV8, V6, VV6, VV5 left-handed design. The B8 is for the right-handed design. It can also be used as an actuating element for hydraulic drives. Pushbuttons, rocker switches, etc., can be fitted to suit appropriate requirements.

Gessmann Industrial Controllers

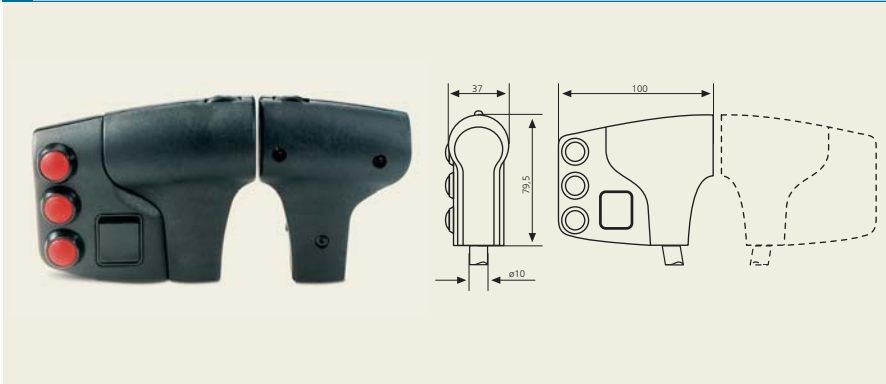
PALMGRIPS

Palmgrip B9



The palmgrip B9 is an actuating element for the multi-axis controllers V8, VV8, V6, VV6, and VV5. It can also be used as an actuating element for hydraulic drives. Pushbuttons, rocker switches, etc., can also be fitted to suit appropriate requirements. The drives with Potentiometer PA 11/12 and PA 13 enable the direction 11-12 resp. 13-14 (3. resp. 4 axis) on the multi-axis controllers.

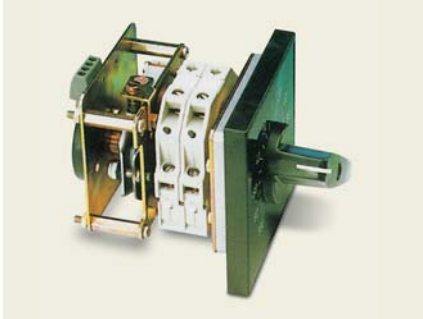
Palmgrip B10-1/B10-2



The palmgrip B10-1 is an actuating element for double-handle controllers D64, DD64, D8 with the control handle on the left. B10-2 is for the control handle on the right. It can also be used as an actuating element for hydraulic drives. Pushbuttons, rocker switches, etc., can be fitted to suit appropriate requirements.

Additional Gessmann Products

Control switches N6



The N6 control-switch is a rugged switching device in accordance with IEC 947-5-1 EN 60947 DIN VDE 0660-200 for hoisting and electro-hydraulic applications.

Pedal-controller P10/P11



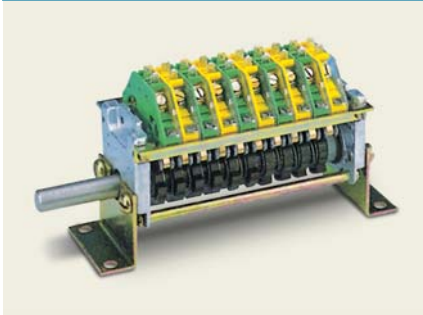
The pedal-controller P10 is a rugged switching device in accordance with IEC 947-5-1 EN 60947 DIN VDE 0660-200 for electro-hydraulic applications.

Portable control unit TS2



The portable control unit TS2 accommodates all the devices necessary for control and monitoring. The chest panel and straps enable the operator to carry it without becoming tired. An adjustable carrying strap can also be fitted for use without the chest plate.

Signal-cam controller NU1



The cam controller NU1 is used as a signal and announcement switch in HV systems.

Additional Gessmann Products

DC-contact



The DC-contact block according to IEC 947-5-1 EN 60947 DIN VDE 0660-200 and VDE 0670/4 § 20 is used signalling and public adress systems.

Pedal-controller P7/PP7



The pedal-controller P7 and PP7 are rugged switching devices in accordance with IEC 947-5-1 EN 60947 DIN-VDE 0660-200, for pedal applications.

Control pedestal for offshore U22/32



The control pedestal U22/32 accomodates the devices necessary for control and monitoring.

Gear limit switch GE1



The gearing limit switch GE1 is a rugged switching device in accordance with IEC 947-5-1 EN 60947 DIN VDE 0660-200 designed for hoisting applications. The modular micro changeover contacts have positive openings.

Pendant control unit HT1/HT2



The pendant controls unit HT1 and HT2 contain the control and monitoring devices. The units are easy to grasp and are protected against damage and unintentional operation of the controls.

Electronic Control Unit ES/43



The electronic control Unit ES/43 is designed for controlling proportional valves without position control.

Head Office

Cavotec MSL Holdings Ltd.

Cavotec MSL is listed on the **NZX** 

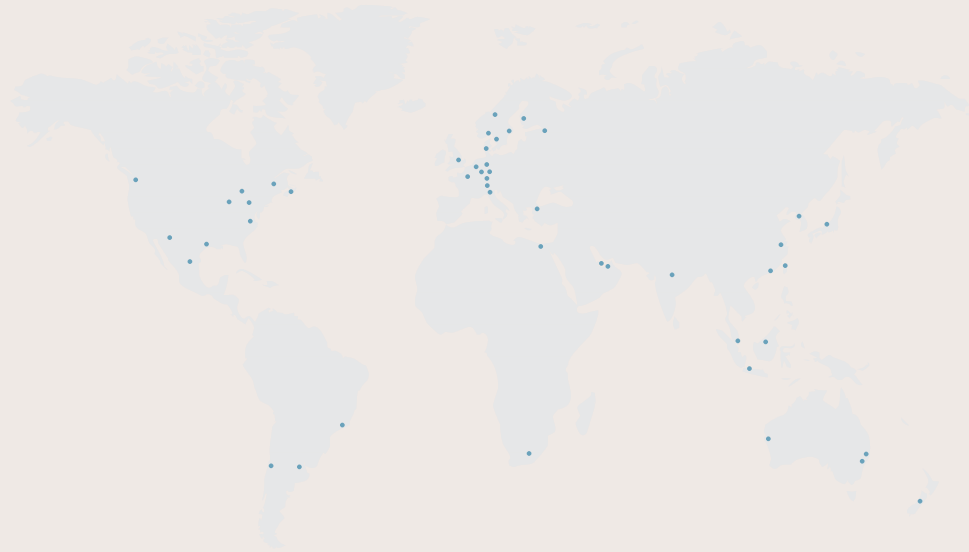
Corporate Office

Cavotec (Swiss) SA

Via Serafino Balestra 27
CH-6900 Lugano, Switzerland

We are present in

Abu Dahbi	Korea
Argentina	Luxemburg
Australia	Malaysia
Belgium	Mexico
Brazil	The Netherlands
Canada	New Zealand
Chile	Norway
China	Russia
Denmark	Saudi Arabia
Egypt	Singapore
Finland	South Africa
France	Sweden
Germany	Switzerland
Hong Kong	Taiwan
India	Turkey
Indonesia	Qatar
Ireland	U.A.E.
Italy	U.K.
Japan	U.S.A.



For more information please visit our website www.cavotec.com
or contact us directly at info@cavotec.com