



Size S5 7,2 kV Screw Ring system

INTRODUCTION

Cavotec Connectors develops electrical connectors that improve performance and protect critical applications in demanding environments.

The Cavotec PC5-S5 size 7,2kV is a non-Ex rated medium voltage connector equipped with a screw ring. The screw ring connection offers a safe and easy connection above all when having a limited space (e.g. Distribution panel with several plugs and sockets with a narrow space - or when using plug and connectors as an extension cord where the connectors are dragged on the ground).

Cavotec S5, a safe and easy power supply device for applications such as:

- Ports – Steel mills – Construction – Mining & tunnelling – Energy – Oil industry

Cavotec PC5 compact and light design was possible with Cavotec's MWT technology enabling smaller pins to take high current with a minimal voltage drop.

PRODUCT FEATURES

- Maximum voltage 7,2kV (400V in pilot circuit), currents up to 350A
- Up to 4 pole insulator assembly as standard covering cable sizes up to 185mm²
- IP66 (when mated or capped – if not, protection with covers secured with a retention wire)
- Standard ambient temperature: -40°C to +80°C or -40°F to +176°F
- Standard finishes: marine grade aluminium ISO 3522 - Hardware in stainless steel
- Screw ring material: Bronze ISO 1338:1977
- Female contact, male pin and cable terminal material: silver plated brass/copper
- Easy wiring with male and female insulators fully interchangeable made in machined POM as standard
- Interchangeable pins & contacts without dismantling the connector
- All cable terminals suits for cables of class 5, IEC 60228
- Standard cable terminals for crimping with hexagonal crimping tool
- Cable glands: Cavotec "onion ring" gasket and strain relief covering cable outer diameters from Ø 35-72 mm
- For termination of the cable terminals, industry approved termination kits for 7,2kV must be used. Termination kits may be supplied by Cavotec on request.

OPTIONAL FEATURES

- Plug cover: PCX-01605-006
- Finger protection female socket: PCX-24570-404K
- Finger protection male plug: PCX-24571-404K
- Termination kit 3M 95-185mm²: PCX-89007-031
- Termination kit Raychem 25-95mm², IXSU 3121: PEE-07062-860
- Termination kit Raychem 95-240mm², IXSU 3131: PEE-07062-880
- Finishes: Colour or non-colour anodizing / Clear coat or solid color painting
- Additional pilot pins
- External fiber optic plug and socket



Plug/Inverted Plug, plug straight Screw Ring



Connector/Inverted connector straight Screw Ring



Socket/Inverted socket Screw Ring

SPECIAL TOOLS

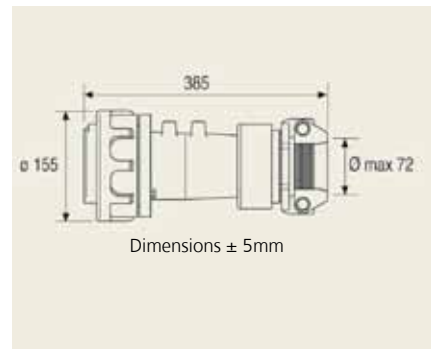
Spanner tool for screw ring PCX-92135-145

Male pin Dia. 12mm	Female contact Dia. 12mm	Key width	Socket wrench (Part numb.)
PCX-11012-XXXX	PCX-12012-XXXX	16/17	PCX-92102-0171



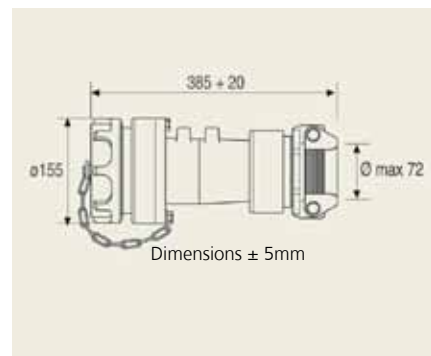
PLUG/INVERTED PLUG, STRAIGHT SCREW RING

No poles (P&E+pil)	Max. voltage phase / pilot	Pin \varnothing (mm) Max. Amp	Weight kg	Cross section mm ² / Rec. Amp	Connector: Female Contacts Product Code	Connector: Male Pins Product Code
4+2	7200V / 400V	12mm / 350A	4.6	50 mm ² / 200A*	PC5-SS04-K0500	PC5-TS04-K0500
				70 mm ² / 250A	PC5-SS04-K0700	PC5-TS04-K0700
				95 mm ² / 300A	PC5-SS04-K0950	PC5-TS04-K0950
				150 mm ² / 350A	PC5-SS04-K1500	PC5-TS04-K1500
4+3	7200V / 400V	12mm / 350A	4.6	50 mm ² / 200A*	PC5-SS04-K05003	PC5-TS04-K05003
				70 mm ² / 250A	PC5-SS04-K07003	PC5-TS04-K07003
				95 mm ² / 300A	PC5-SS04-K09503	PC5-TS04-K09503
				150 mm ² / 350A	PC5-SS04-K15003	PC5-TS04-K15003
				185 mm ² / 350A	PC5-SS04-K18503	PC5-TS04-K18503



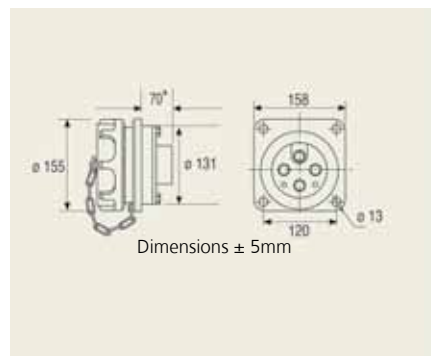
CONNECTOR/INVERTED CONNECTOR STRAIGHT SCREW RING

No poles (P&E+pil)	Max. voltage phase / pilot	Pin \varnothing (mm) / Max. Amp	Weight kg	Cross section mm ² / Rec. Amp	Connector: Female Contacts Product Code	Connector: Male Pins Product Code
4+2	7200V / 400V	12mm / 350A	5.1	50 mm ² / 200A*	PC5-RS04-K0500	PC5-PS04-K0500
				70 mm ² / 250A	PC5-RS04-K0700	PC5-PS04-K0700
				95 mm ² / 300A	PC5-RS04-K0950	PC5-PS04-K0950
				150 mm ² / 350A	PC5-RS04-K1500	PC5-PS04-K1500
4+3	7200V / 400V	12mm / 350A	5.1	50 mm ² / 200A*	PC5-RS04-K05003	PC5-PS04-K05003
				70 mm ² / 250A	PC5-RS04-K07003	PC5-PS04-K07003
				95 mm ² / 300A	PC5-RS04-K09503	PC5-PS04-K09503
				150 mm ² / 350A	PC5-RS04-K15003	PC5-PS04-K15003
				185 mm ² / 350A	PC5-RS04-K18503	PC5-PS04-K18503




















SOCKET/INVERTED SOCKET, SCREW RING

No poles (P&E+pil)	Max. voltage phase / pilot	Pin \varnothing (mm) / Max. Amp	Weight kg	Cross section mm ² / Rec. Amp	Connector: Female Contacts Product Code	Connector: Male Pins Product Code
4+2	7200V / 400V	12mm / 350A	2.9	50 mm ² / 200A*	PC5-VS04-K0500	PC5-WS04-K0500
				70 mm ² / 250A	PC5-VS04-K0700	PC5-WS04-K0700
				95 mm ² / 300A	PC5-VS04-K0950	PC5-WS04-K0950
				150 mm ² / 350A	PC5-VS04-K1500	PC5-WS04-K1500
4+3	7200V / 400V	12mm / 350A	2.9	50 mm ² / 200A*	PC5-VS04-K05003	PC5-WS04-K05003
				70 mm ² / 250A	PC5-VS04-K07003	PC5-WS04-K07003
				95 mm ² / 300A	PC5-VS04-K09503	PC5-WS04-K09503
				150 mm ² / 350A	PC5-VS04-K15003	PC5-WS04-K15003
				185 mm ² / 350A	PC5-VS04-K18503	PC5-WS04-K18503



* For smaller sizes, please contact your local Cavotec sales office

POWER CONNECTORS PRODUCT RANGE

Size	Connection type	Model name	Keying position	Accessories	Certifications	1-pole	3-pole	4-pole			5-pole	8-pole	13-pole	18-pole	25-pole	24, 30 & 37-pole	50-pole		
PC1	Screw Ring	S1	12								40A 690V 4mm ²	20A 415V 2,5mm ²	10A 230V 1,5mm ²	10A 230V 1,5mm ²					
	Screw Ring	S1	2, 4, 6, 8, 10, 12		ATEX & IECEx 						30A 690V 4mm ²	20A* 415V* 2,5mm ²	10A* 230V* 1,5mm ²	10A* 230V* 1,5mm ²					
PC2	Push&Pull	X2	2, 3, 4, 5, 6, 7, 8, 9, 10, 12 Insulator keying: 1-11	Low interlocking (PC2-VL) Wall bracket Screw terminals		660A 690V 300mm ²	250A 690V 70mm ²	200A 690V 50mm ²			200A 415V 50mm ²			40A 500V 4mm ²	40A 50V 4mm ²				
	Bayonet	B2	Double keying 1-11 55 options		ATEX & IECEx 	660A 690V 300mm ²	250A 690V 70mm ²	200A 690V 50mm ²			200A 415V 50mm ²			40A 500V 4mm ²	40A 50V 4mm ²				
PC3	Eye Bolt	K3						170A 1,1kV 50mm ²											
PC4	Push&Pull	X4	1, 2, 3, 4, 5, 6, 7, 8, 9, 10, 11, 12	External FO 6ch Screw terminals				250A 1,1kV 70mm ²			200A 1,1kV 70mm ²					40A 500V 4mm ²			
	Screw Ring	S4	1, 2, 3, 4, 5, 6, 7, 8, 9, 10, 11, 12	Short bell				250A 1,1kV 70mm ²			200A 1,1kV 70mm ²								
	Eye Bolt	K4						250A 1,1kV 70mm ²											
PC5	Push&Pull	X5	1, 2, 3, 4, 5, 6, 7, 8, 9, 10, 11, 12	External FO 12ch Internal FO 8ch Screw terminals Kirk Key interlock Wall bracket				420A 1,1kV 185mm ² Internal fiber optic	350A 7,2kV 150mm ² 								40A 500V 4mm ²		
	Screw Ring	S5	1, 2, 3, 4, 5, 6, 7, 8, 9, 10, 11, 12	Internal FO 8ch Screw terminals				420A 1,1kV 185mm ² Internal fiber optic	350A 7,2kV 150mm ²		350A 1,1kV 185mm ²								
PC6	Push&Pull	X6	6.12	External FO 18ch Internal FO 12ch Screw terminals Kirk Key interlock Wall bracket				660A 1,1kV 300mm ² Internal fiber optic	480A 7,2kV 240mm ² Internal fiber optic	500A 12kV 185mm ²	480A 1,1kV 300mm ²								
	Screw Ring	S6	6.12					660A 1,1kV 300mm ²			660A 1,1kV 300mm ²								
PC7	Eye Bolt	K7						400A 8kV 185mm ²											
PC8	Eye Bolt	K8						440A 15kV 120mm ²											
PC9	Eye Bolt	K9						440A 25kV 150mm ²											

*Available Q2 2015