



Power Connector PC6 - Push & Pull Size X6 – 1.1kV



Plug/Inverted Plug, straight Push & Pull



Connector/Inverted Connector, straight Push & Pull



Socket/Inverted Socket, Push & Pull

INTRODUCTION

Cavotec Connectors develops electrical connectors that improve performance and protect critical applications in demanding environments.

The Cavotec PC6-X6 is a non-Ex rated connector designed for frequent connections and disconnections. Designed with Cavotec Push & Pull system, it offers a safe way for connecting and disconnecting via an ergonomic push & pull handle which could be critical in case of emergency.

Cavotec X6, a safe and easy power supply device for applications such as:

- RTG cranes – Steel mills – Mining & tunnelling – Energy – Railways

Cavotec PC6 compact and light design was possible with Cavotec's MWT technology enabling smaller pins to take high current with a minimal voltage drop.

PRODUCT FEATURES

- Maximum voltage 1,1kV, currents up to 660A (800A)
- 4 or 5 pole insulator assembly as standard covering cable sizes up to 300mm²
- IP66 (when connected or with covers closed)
- Standard ambient temperature: -40°C to +80°C or -40°F to +176°F
- Socket & connector connection with integrated cover operated by the push & pull arms
- Standard finishes: marine grade aluminium ISO 3522 - Hardware in stainless steel
- Push & Pull arm material: Bronze ISO 1338:1977
- Female contact, male pin and cable terminal material: silver plated brass
- Easy wiring with male and female insulators fully interchangeable made in POM (Polyoxymethylene)
- Interchangeable pins & female contacts without dismantling the connector
- All cable terminals suits for cables of class 5, IEC 60228
- Cable glands: Cavotec "onion ring" gasket and strain relief covering cable outer diameters from Ø 45 - 110 mm

OPTIONAL FEATURES

- Plug cover: PCX-01616-006
- Wall mounting bracket for Connector: PCX-49X10-2002
- Finishes: Colour or non-colour anodizing / Clear coat or solid color painting
- Mechanical interlock & additional pilot pins
- Up to 12ch integrated (EB) or up to 18ch externally (butt joint)

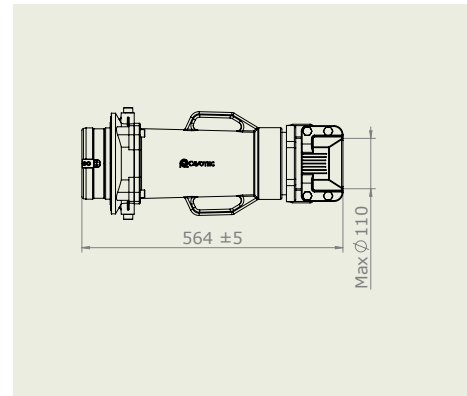
SPECIAL TOOLS

Male pin Dia. 14, 16, 20mm	Female contact Dia. 14, 16, 20mm	Key width	Socket wrench (Part numb.)
PCX-11014-XXXX		18/19	PCX-92102-019
	PCX-12014-XXXX	21/23	PCX-92102-021
PCX-11016-XXXX		18/19	PCX-92102-019
	PCX-12016-XXXX	21/23	PCX-92102-021
PCX-11020-XXXX	PCX-12020-XXXX	30/32	PCX-92102-030



PLUG/INVERTED PLUG, STRAIGHT PUSH & PULL

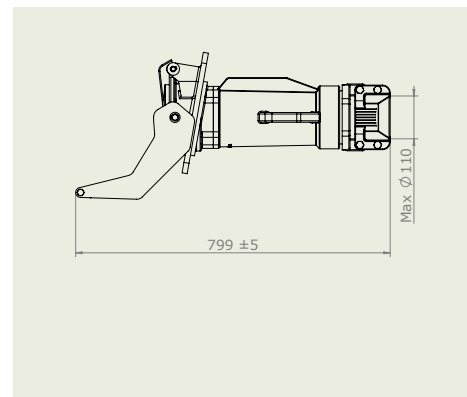
No pins (P&E+pil)	Pin \varnothing (mm) Max Amp	Weight kg	Cross section mm ² / Rec. Amp	Plug: Male Pins Product Code	Inv. Plug: Female Contacts Product code
4+2	20mm / 800A	10	95 mm ² / 300A*	PC6-SX04-0950	PC6-TX04-0950
			120 mm ² / 350A	PC6-SX04-1200	PC6-TX04-1200
			150 mm ² / 420A	PC6-SX04-1500	PC6-TX04-1500
			185 mm ² / 480A	PC6-SX04-1850	PC6-TX04-1850
			240 mm ² / 540A	PC6-SX04-2400	PC6-TX04-2400
5+2	16mm / 500A	10	95 mm ² / 300A*	PC6-SX05-0950	PC6-TX05-0950
			120 mm ² / 350A	PC6-SX05-1200	PC6-TX05-1200
			150 mm ² / 420A	PC6-SX05-1500	PC6-TX05-1500
			185 mm ² / 480A	PC6-SX05-1850	PC6-TX05-1850
			240 mm ² / 500A	PC6-SX05-2400	PC6-TX05-2400



* For smaller sizes, please contact your local Cavotec sales office

CONNECTOR/INVERTED CONNECTOR, STRAIGHT PUSH & PULL

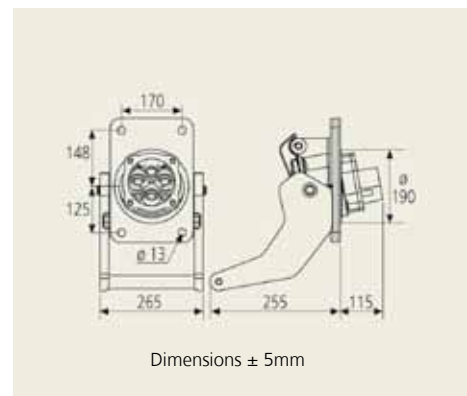
No pins (P&E+pil)	Pin \varnothing (mm) Max Amp	Weight kg	Cross section mm ² / Rec. Amp	Connector Female Contacts Product Code	Inv. Connector: Male Pins Product Code
4+2	20mm/800A	18	95 mm ² / 300A*	PC6-RX04-0950	PC6-PX04-0950
			120 mm ² / 350A	PC6-RX04-1200	PC6-PX04-1200
			150 mm ² / 420A	PC6-RX04-1500	PC6-PX04-1500
			185 mm ² / 480A	PC6-RX04-1850	PC6-PX04-1850
			240 mm ² / 540A	PC6-RX04-2400	PC6-PX04-2400
5+2	16mm/500A	18	95 mm ² / 300A*	PC6-RX05-0950	PC6-PX05-0950
			120 mm ² / 350A	PC6-RX05-1200	PC6-PX05-1200
			150 mm ² / 420A	PC6-RX05-1500	PC6-PX05-1500
			185 mm ² / 480A	PC6-RX05-1850	PC6-PX05-1850
			240 mm ² / 500A	PC6-RX05-2400	PC6-PX05-2400



*For smaller sizes, please contact your local Cavotec sales office

SOCKET/INVERTED SOCKET, PUSH & PULL


















No pins (P&E+pil)	Pin \varnothing (mm) Max. Amp	Weight kg	Cross section mm ² / Rec. Amp	Socket: Female Contacts Product Code	Inv. Socket: Male Pins Product code
4+2	20mm/800A	12	95 mm ² / 300A*	PC6-VX04-0950	PC6-WX04-0950
			120 mm ² / 350A	PC6-VX04-1200	PC6-WX04-1200
			150 mm ² / 420A	PC6-VX04-1500	PC6-WX04-1500
			185 mm ² / 480A	PC6-VX04-1850	PC6-WX04-1850
			240 mm ² / 540A	PC6-VX04-2400	PC6-WX04-2400
5+2	16mm/500A	12	95 mm ² / 300A*	PC6-VX05-0950	PC6-WX05-0950
			120 mm ² / 350A	PC6-VX05-1200	PC6-WX05-1200
			150 mm ² / 420A	PC6-VX05-1500	PC6-WX05-1500
			185 mm ² / 480A	PC6-VX05-1850	PC6-WX05-1850
			240 mm ² / 500A	PC6-VX05-2400	PC6-WX05-2400



Dimensions \pm 5mm

*For smaller sizes, please contact your local Cavotec sales office

POWER CONNECTORS PRODUCT RANGE

Size	Connection type	Model name	Keying position	Accessories	Certifications	1-pole	3-pole	4-pole			5-pole	8-pole	13-pole	18-pole	25-pole	24, 30 & 37-pole	50-pole		
PC1	Screw Ring	S1	12								40A 690V 4mm ²	20A 415V 2,5mm ²	10A 230V 1,5mm ²	10A 230V 1,5mm ²					
	Screw Ring	S1	2, 4, 6, 8, 10, 12		ATEX & IECEx 						30A 690V 4mm ²	20A* 415V* 2,5mm ²	10A* 230V* 1,5mm ²	10A* 230V* 1,5mm ²					
PC2	Push&Pull	X2	2, 3, 4, 5, 6, 7, 8, 9, 10, 12 Insulator keying: 1-11	Low interlocking (PC2-VL) Wall bracket Screw terminals		660A 690V 300mm ²	250A 690V 70mm ²	200A 690V 50mm ²			200A 415V 50mm ²			40A 500V 4mm ²	40A 50V 4mm ²				
	Bayonet	B2	Double keying 1-11 55 options		ATEX & IECEx 	660A 690V 300mm ²	250A 690V 70mm ²	200A 690V 50mm ²			200A 415V 50mm ²			40A 500V 4mm ²	40A 50V 4mm ²				
PC3	Eye Bolt	K3						170A 1,1kV 50mm ²											
PC4	Push&Pull	X4	1, 2, 3, 4, 5, 6, 7, 8, 9, 10, 11, 12	External FO 6ch Screw terminals				250A 1,1kV 70mm ²			200A 1,1kV 70mm ²					40A 500V 4mm ²			
	Screw Ring	S4	1, 2, 3, 4, 5, 6, 7, 8, 9, 10, 11, 12	Short bell				250A 1,1kV 70mm ²			200A 1,1kV 70mm ²								
	Eye Bolt	K4						250A 1,1kV 70mm ²											
PC5	Push&Pull	X5	1, 2, 3, 4, 5, 6, 7, 8, 9, 10, 11, 12	External FO 12ch Internal FO 8ch Screw terminals Kirk Key interlock Wall bracket				420A 1,1kV 185mm ² Internal fiber optic	350A 7,2kV 150mm ² 								40A 500V 4mm ²		
	Screw Ring	S5	1, 2, 3, 4, 5, 6, 7, 8, 9, 10, 11, 12	Internal FO 8ch Screw terminals				420A 1,1kV 185mm ² Internal fiber optic	350A 7,2kV 150mm ²		350A 1,1kV 185mm ²								
PC6	Push&Pull	X6	6.12	External FO 18ch Internal FO 12ch Screw terminals Kirk Key interlock Wall bracket				660A 1,1kV 300mm ² Internal fiber optic	480A 7,2kV 240mm ² Internal fiber optic	500A 12kV 185mm ²	480A 1,1kV 300mm ²								
	Screw Ring	S6	6.12					660A 1,1kV 300mm ²			660A 1,1kV 300mm ²								
PC7	Eye Bolt	K7						400A 8kV 185mm ²											
PC8	Eye Bolt	K8						440A 15kV 120mm ²											
PC9	Eye Bolt	K9						440A 25kV 150mm ²											

*Available Q2 2015