



## 400Hz Cable Coiler M30ic

### INTRODUCTION

The Cavotec Cable Coiler is a device to connect parked aircraft to the fixed electrical ground power. It is either mounted on a passenger bridge or ground mounted.

### ADVANTAGES

- Motor-driven reel, distributing 400Hz power to aircraft with automatic reeling of the 400Hz aircraft cable
- Safe ground handling operation due to easy control of the coiler and its functions
- Robust design ensuring low maintenance costs due to improved cable management and protective enclosure for the 400Hz cable
- Highly safe system with remote ground handling operations via push-buttons located at the Cavotec 400Hz aircraft connector or at the bridge column
- 28m usable 400Hz service cable (29.5m of 7x35mm<sup>2</sup> + 6x4x1mm<sup>2</sup> and 1.5m of 4x70+4x1mm<sup>2</sup> special aircraft cable) capable of servicing most of the aircraft types parked at the gate
- Integration of the Cavotec 400Hz cable harness for an improved power transmission

### MAIN COMPONENTS

- Frame in stainless steel and covers in aluminium painted with color RAL9006
- PLC control with frequency controlled motor
- Limit switches and overload protection
- Coiling drum is driven by a geared motor with gear wheels and chain
- Pressure rollers located on the perimeter of the coiling drum ensure safe coiling of the cable

### OPTIONS

- Mounting bracket for bridge installation of 1 coiler
- Moveable mounting bracket for bridge installation for 2 coilers
- Pillar for cable coiler, rotation 15°, including roof Aluminium Plate Dimensions:
- Remote control box, metal (aluminium alloy), IP67, cable up/down and e-stop, one per Cable Coiler



Cavotec Cable Coiler bridge mounted 2 x 90kVA



Cavotec Cable Coiler bridge mounted



Cavotec Cable Coiler standing 2 x 90kVA



## ACCESSORIES

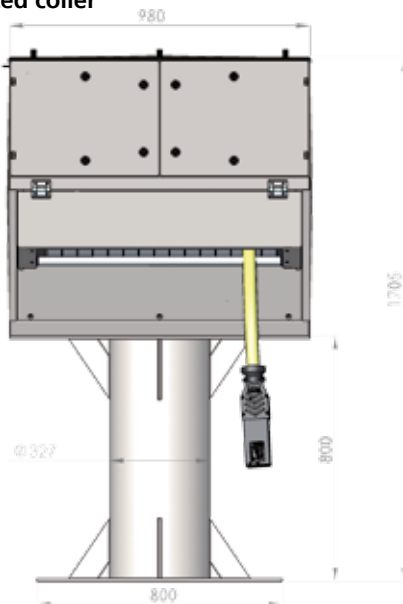
- Cable type and length
- Connectors
- Pluggable coupling
- Other RAL color upon request

## TECHNICAL CHARACTERISTICS & CONFIGURATION EXAMPLES

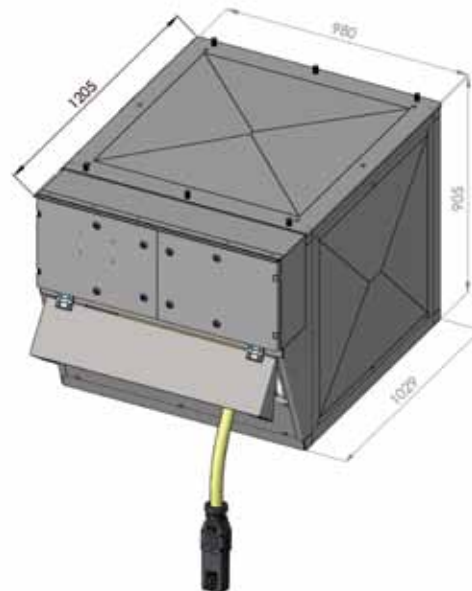
Dimensions (L/W/H):	1400x1000x900mm
Weight:	350kg without cable / approx. 465kg with cable - remark: without mounting bracket
Voltage:	230V / 50Hz (optional 60Hz)
Motor power:	0.55 kW controlled by motor frequency converter
Protection class:	IP 54
Coiling speed:	up to 0.7 m/s
Power transmission:	90kVA, 115/200V, 400Hz
Temperature range:	-25° to +40°C with heater
Sound pressure level at cable outlet:	< 70 dB(A)
Designed to meet the following norms:	EN 1915-1 / EN 1915-2 / EN 60204 / LN 29845 / ISO461 / DFS400 / BGVC10
Version:	Ground or Bridge mounted version, various cable lengths
Usable cable length:	28 m

## TECHNICAL DIMENSIONS

Ground mounted coiler



Bridge mounted coiler



Cable sample

